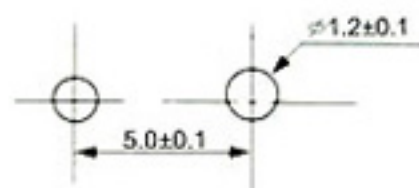
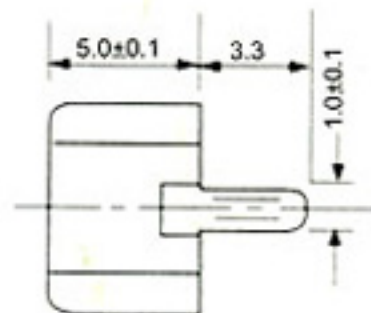
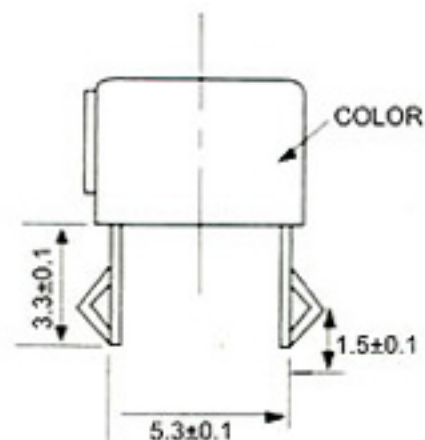
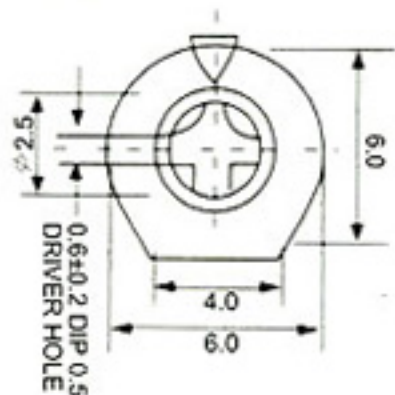


6 ϕ CERAMIC TRIMMER CAPACITORS

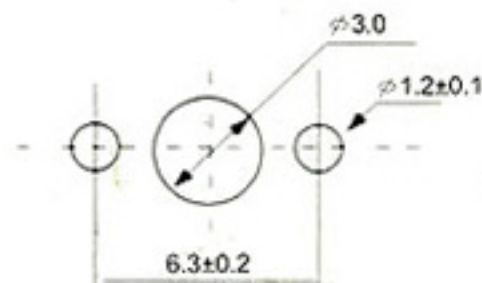
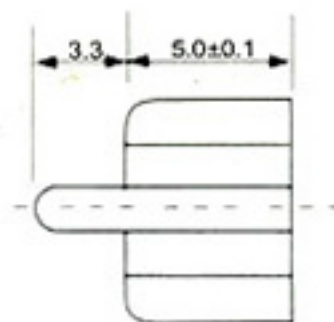
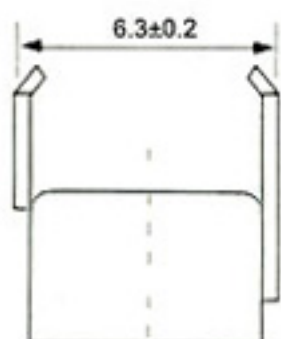
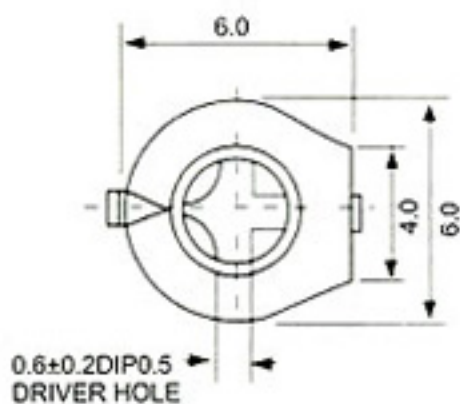
陶瓷微調電容器

STRAIGHT TYPE 直脚



SUGGESTED MOUNTING HOLES

REAR ADJUSTING TYPE 反調



SUGGESTED MOUNTING HOLES
Dimensions in mm (not to scale)